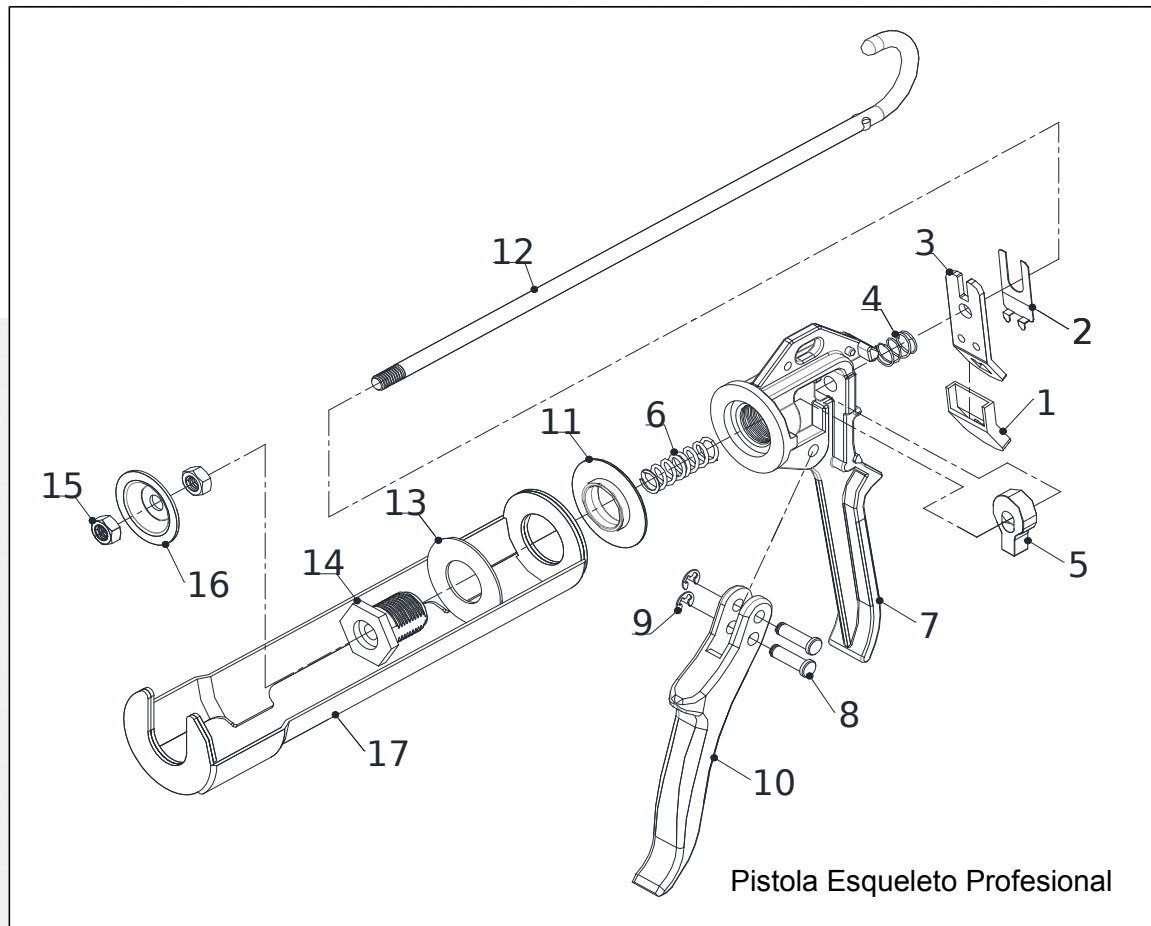


## Technical Data Sheet



<b>Ref.</b>	<b>Description</b>	<b>Q'ty</b>	<b>Material</b>	<b>Finishing</b>
1	Cover	1	Plastic	N/A
2	Sheet Spring	1	Steel	Zinc Plating
3	Recoil Plate	1	Low carbon steel	Zinc Plating
4	Recoil Spring	1	Spring steel	Zinc Plating
5	Gripper Plate	1	Sintered metal	N/A
6	Spring	1	Spring steel	Zinc Plating
7	Handle	1	Aluminum Alloy	Powder Coating
8	Rivets	2	Free cutting steel	Zinc Plating
9	E Ring	2	Steel	Black Oxide
10	Trigger	1	Aluminum Alloy	Powder Coating
11	Spacer	1	Plastic	N/A
12	Plunger Rod	1	Steel	Zinc Plating
13	Washer	1	Steel	Zinc Plating
14	Connector	1	Aluminum Alloy	N/A
15	Nuts	2	Steel	Zinc Plating
16	Push Disk	1	Steel	Zinc Plating
17	Carriage	1	Steel	Powder Coating