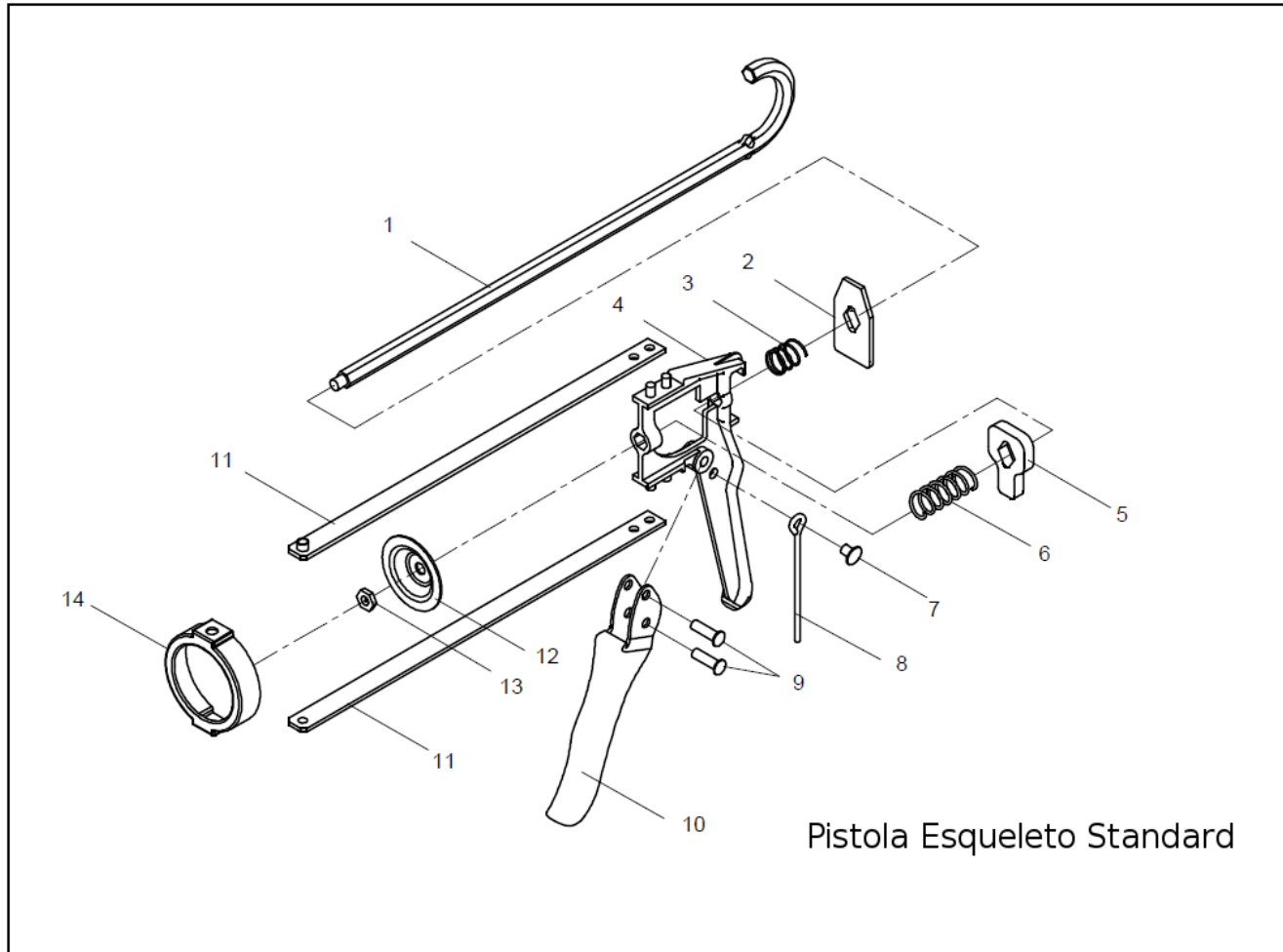


Technical Data Sheet



<u>Ref. no.</u>	<u>Description</u>	<u>Q'ty</u>	<u>Material</u>
1	Plunger Rod	1	Steel
2	Recoil Plate	1	Steel
3	Spring	1	Spring Steel
4	Handle	1	Zinc Alloy
5	Gripper Plate	1	Steel
6	Spring	1	Spring Steel
7	Rivet	1	Steel

<u>Ref. no.</u>	<u>Description</u>	<u>Q'ty</u>	<u>Material</u>
8	Puncture Tool	1	Steel
9	Rivets	2	Steel
10	Trigger	1	Steel
11	Carriage Side Plates	2	Steel
12	Push Plate	1	Steel
13	Nut	1	Steel
14	Front Cap	1	Steel