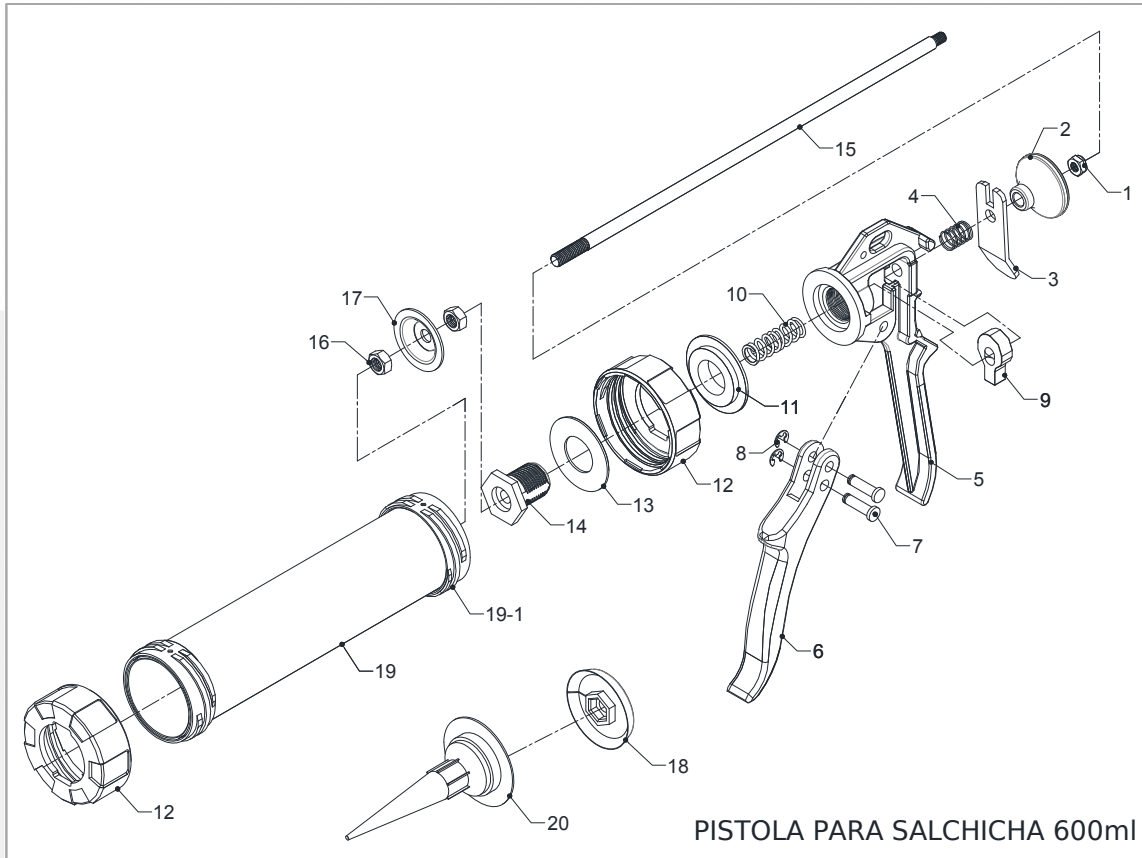


Technical Data Sheet



Ref.	Description	Q'ty	Material	Finishing
1	Nut	1	Steel	Zinc Plating
2	Pull Knob	1	Plastic	N/A
3	Recoil Plate	1	Steel	Zinc Plating
4	Spring	1	Spring Steel	Zinc Plating
5	Handle	1	Aluminum Alloy	Powder Coating
6	Trigger	1	Aluminum Alloy	Powder Coating
7	Rivets	2	Free Cutting Steel	Zinc Plating
8	E Ring	1	Steel	Black Oxide
9	Gripper Plate	1	Sintered Metal	N/A
10	Spring	1	Spring Steel	Zinc Plating
11	Spacer	1	Plastic	N/A
12	Barrel Cap	2	Plastic	N/A
13	Washer	1	Steel	Zinc Plating
14	Connector	1	Aluminum Alloy	N/A
15	Plunger Rod	1	Steel	Zinc Plating
16	Nuts	2	Steel	Zinc Plating
17	Push Disk	1	Steel	Zinc Plating
18	Push Disk (250PD2)	1	Plastic	N/A
19	Barrel	1	Aluminum	Clear Anodizing
19-1	Threaded Ring	2	Zinc Alloy	Zinc Plating
20	Tube Nozzle (250TN)	1	Plastic	N/A